

## UNIKA 400 VINTAGE

Kitchen Sinks

Code: N156 F80

UNIKA R15 BOWL 400x400 À FLEUR. VINTAGE



### DETAILS

Edge/Installation Type	Flush-mount   Top-mount
Material	AISI 304 stainless steel
Texture	Vintage
Base	45 cm
Dimensions	440x440 mm
Standard fittings	Fixing hooks, gasket, drain, overflow and siphon, boxed packing
Mixer holes	No standard holes
Built-in hole	View technical data sheet
Drainer	No

Width 44 cm

---

Bowl dimension 400x400mm

---

Number of bowls 1 bowl

---

Waste fitting 3,5" drain

---

## FEATURES

**High thickness** 1mm thick steel. A significant thickness, which guarantees the maximum sturdiness and durability.

---

**Basket 3,5" waste fitting** The drain is equipped with a large 3.5" drain, with the practical basket cap that prevents the discharge of solid parts.

---

**Perimetral overflow** The overflow is always a security on the Foster sinks that prevents the overflow of water in case of oversights. The perimeter drain solution improves aesthetics thanks to its square and essential shape.

---

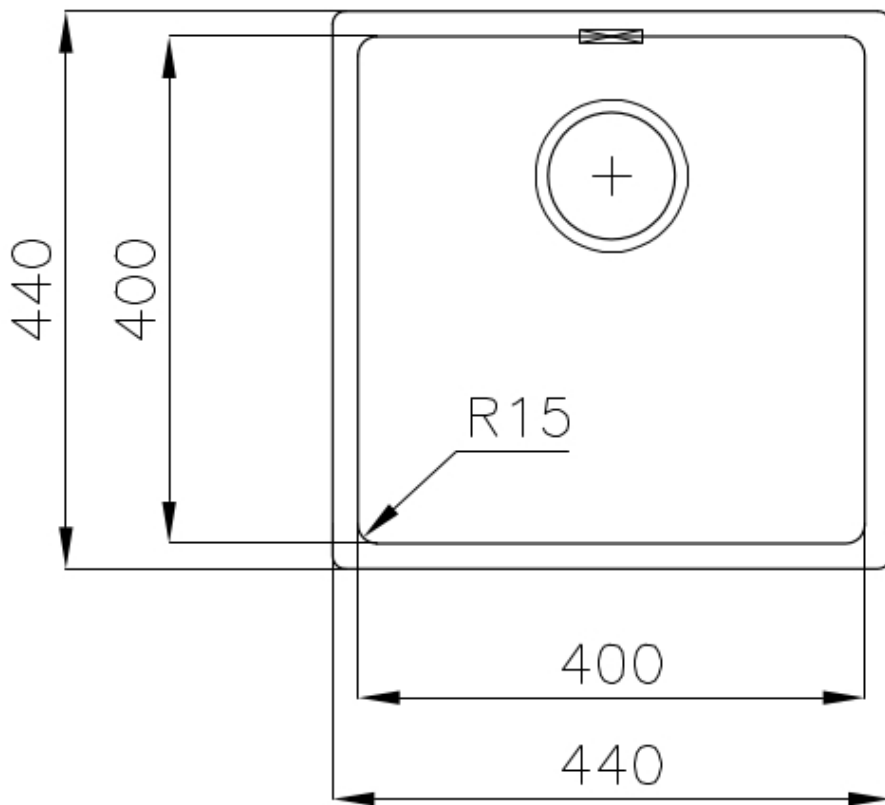
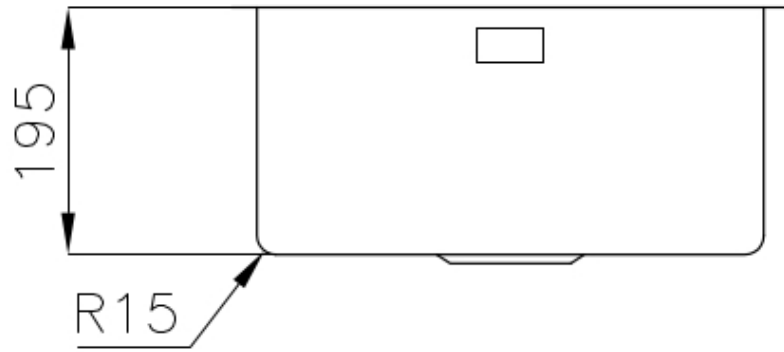
**Small radius** Bowls with squared shapes with a modern design and an increased capacity, for a minimal aesthetics connected with an extreme practicality.

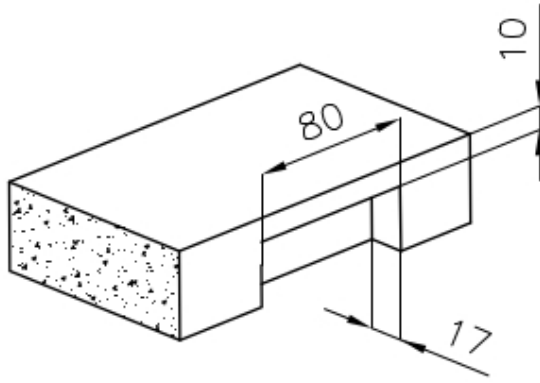
---

**VINTAGE** The Vintage finish gives the product a long-lived and elegant look, creating a surface that does not fear scratches.

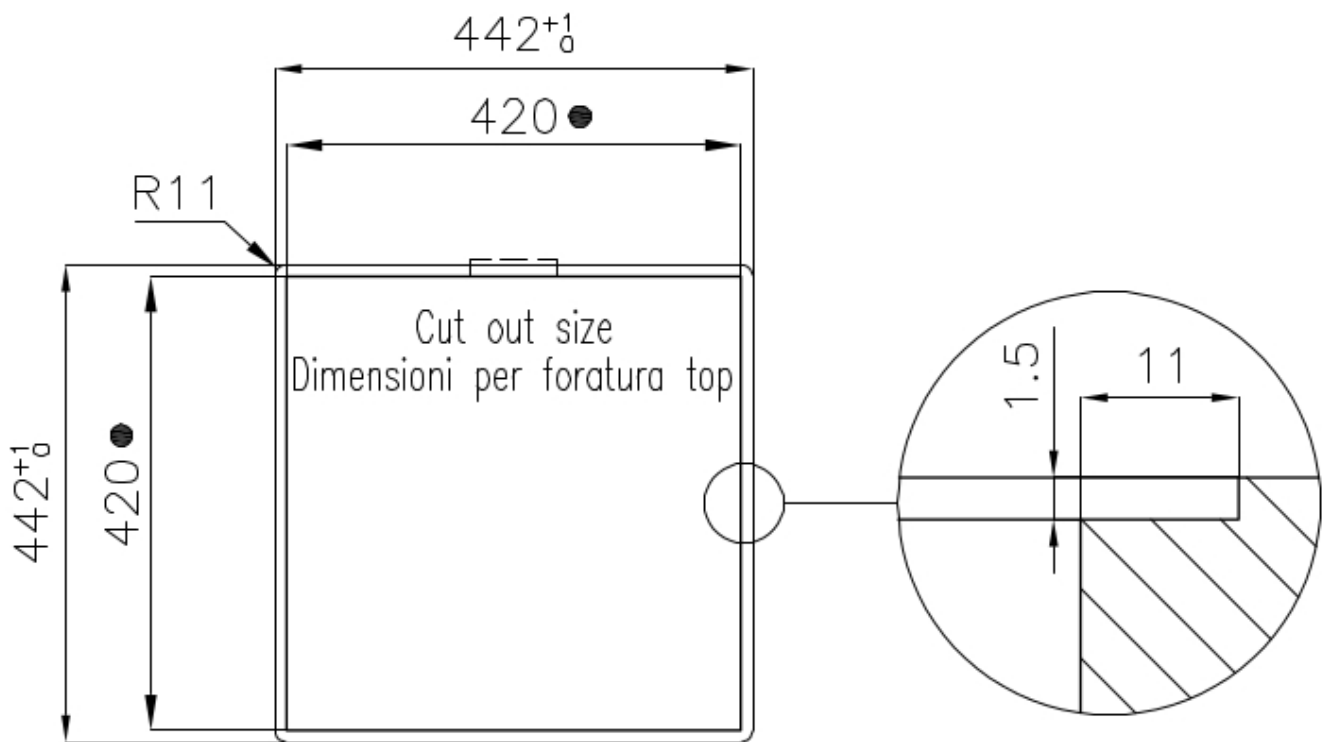
---

## TECHNICAL DATA





Intaglio per il troppo-pieno  
Recess for housing the over-flow



- Built-in cut out for FTS – Foratura per installazione FTS

## GALLERY



## OPTIONAL ACCESSORIES



**CUVETTE PERFOREE INOX**

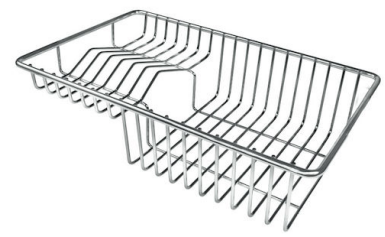
A154 F00

\* only in combination with the accessory  
A644 F04



**CUVETTE PLASTIQUE BLANCHE**

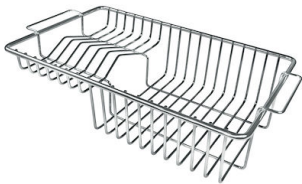
A153 A00



**GRILLE POR.ASSIETTES INOX  
mm214x379**

A100 C03

\* only in combination with the accessory  
A644 A01



**GRILLE PORTE-ASSIETTES INOX**

**250x425**

A100 B01



**GRILLE PORTE-ASSIETTES INOX**

**25x35**

A100 A54

\* only in combination with the accessory  
A644 F04



**PLANCHE DE DECOUPE CRYSTAL**

**23x41 CM**

A631 C00



**PLANCHE DE DECOUPE DOUBLE  
HDPE**

A644 A01



**PLANCHE DE DECOUPE DOUBLE  
IROKO**

A644 F04



**PLANCHE DE DECOUPE HDPE**

**27x42 CM**

A657 F01



## CUVETTE INOX PERFOREE

A151 F00

\* only in combination with the accessory  
A644 A01



## KIT RÂPES ET PLANCHE DE DECOUPE HDPE

A159 A01

\* only in combination with the accessory  
A644 A01

## OPTIONAL AUTOMATIC WASTE FITTINGS



## VIDAGE FADE LIGHT

A407 A17



## VIDAGE FADE PUSH INOX

A407 A16